

SH617-80&90A**HIGH POWER LATCHING RELAY****Features:**

Switching Current: 80A, 90A max

Switching Voltage: 250VAC max

Switching power: 22500VA max

Dielectric Strength: 4kV/1min

(between coil and contacts)

RoHS Compliance

Dimensions (mm): 38×30×16.5

Contact Specifications:

- Contact Form: 1A(Release), 1B(Operate)
Default Form
- Contact Material: AgSnO₂
- Contact Resistance:
≤ 2 mΩ (1A/6VDC)

Characteristics:

AMBIENT TEMP.	-40℃~+70℃	
VIBRATION RESISTANCE	10-55Hz, 0.5mm (Double Amplitude)	
SHOCK RESISTANCE	98m/s ² 11ms	
RELATIVE HUMIDITY	45%~85%	
INSULATION RESISTANCE	1000 M Ω (500VDC)	
DIELECTRIC STRENGTH	BETWEEN CONTACTS	2000 VAC 50/60Hz (1 minute)
	BETWEEN CONTACT & COIL	4000 VAC 50/60Hz (1 minute)
Electrical Life	≥1 × 10 ⁴ OPS	
Mechanical Life	≥1 × 10 ⁶ OPS	
PICK-UP TIME (At rated Voltage):	≤20ms	
RELEASE TIME (At rated Voltage):	≤20ms	
Bounce Time:	≤2ms	
Construction:	DUST protected	

Coil Data (20℃):

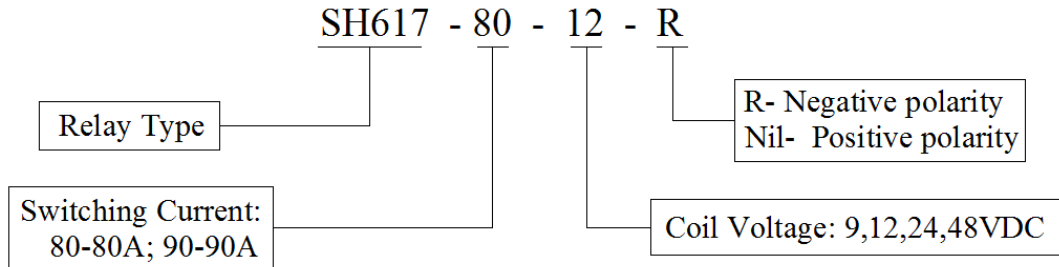
Rated Voltage (VDC)	Pick-up Voltage (VDC)	Pulse Duration (ms) Min	COIL RESISTANCE X (1 ± 10%) Ω	
6	4.5	80	Single Coil Latching	36
9	6.75	80		81
12	9	80		144
24	18	80		576
48	36	80		2304
6	4.5	80	Double Coil Latching	18
9	6.75	80		40.5
12	9	80		72
24	18	80		288
48	36	80		1152
Coil Power Consumption: Single coil 1.0W Double Coil 2.0W				

NOTICE:

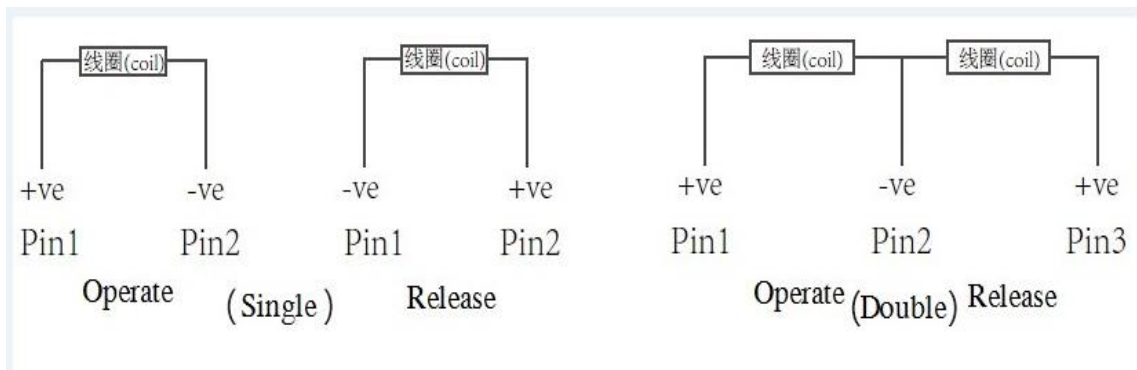
1. Relay is on the “release” or “operate” status when being released from stock, with the consideration of shock risen from transit an relay mounting, relay would be changed to “operate” or “release” status, therefore, when application (connecting the power supply), please reset the relay to “operate” or “release” status on request.

2. In order to maintain “operate” or “release” status, energized voltage to coil should reach the rated voltage, impulse width should be 5 times more than “operate” or “release” time. Do not energize voltage to “operate” coil and “release” coil simultaneously. And also long energized time (more than 1 min) should be avoided.

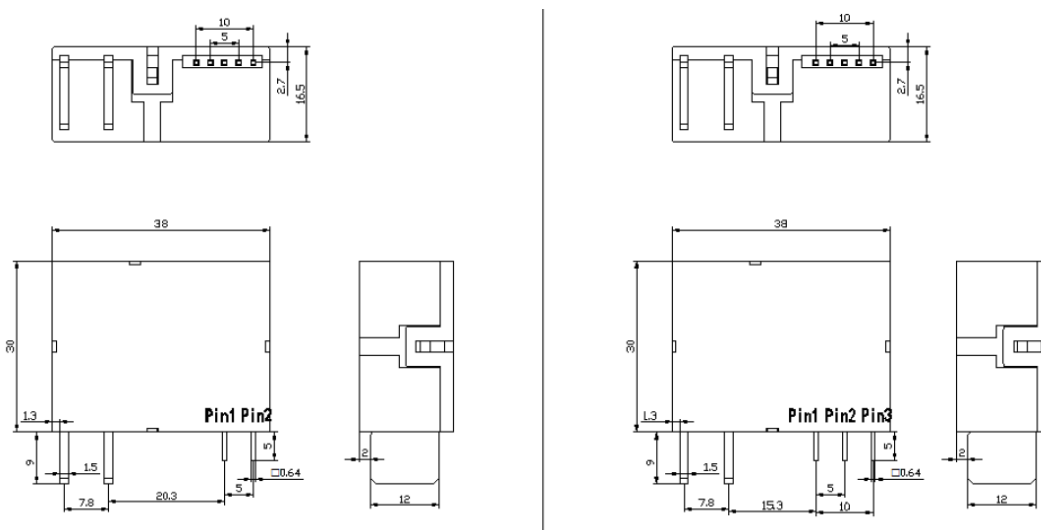
Ordering Instruction:



Wiring Diagram:



Outline Dimensions (mm):



Notice: Sample tested during initial release and after any redesign or process change that may affect parameter. Specification is subject to change without notice. Please ask for the newest product specification at any moment.